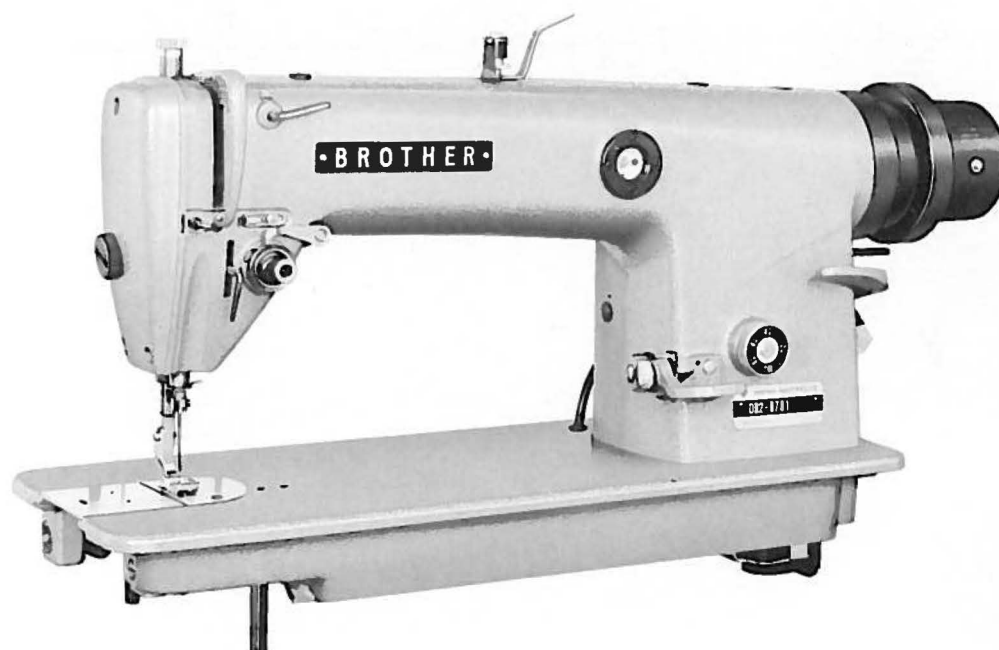


# **PARTS BOOK**

**FOR**

## **BROTHER DB2-B781, -100, -200**



Single Needle Differential Feed Straight Stitcher  
Single Needle Differential Feed Straight Stitcher  
with Thread Trimmer

**BROTHER INDUSTRIES, LTD.**

**NAGOYA, JAPAN**

From the library of: Superior Sewing Machine & Supply LLC

WONDER

1910

WONDER

WONDER

WONDER

## How to use the parts book

1. When the column for the parts number or the parts assembly number is , please refer to the different parts list on the page 11.
2. When the column for the parts number is , the parts cannot be supplied. But when the parts assembly number is shown in the column, please order the parts by the parts assembly number so that the parts can be arranged in the form assembled parts.
3. This book is edited basing on the data as of the January, 1978.
4. The parts in this book may be changed without any advance notice.

## Hinweise für das Zubehöriteilbuch

1. Wenn die Klumne für die Nummer der Zubehörteile oder dessen Montage  ist, bitte schlage Sie die Liste der Differentialzubehörteileliste in der Seite 11 nach.
2. Wenn die Klumne für die Nummer der Zubehörteile  ist, gibt es keine Zubehörteile, dagegen wenn die Montage- Nummer der Zubehörteile in der Liste steht, können Sie die Zubehörteile mit der Differential-zubehörteileliste ordentlich bestellen.
3. Diese Buch-Ausgabe ist im Januar, 1978.
4. Bei der Änderung der Zubehörteile in diesem Buch mag es keine Notiz geben.

## Mode d'emploi du livre des pièces

1. Quand la case pour le numéro des pièces ou le numéro des pièces assemblées est , veuillez vous référer à la liste des pièces différentes à la page 11.
2. Quand la case pour le numéro des pièces est , les pièces ne peut pas être fournir. Mais quand le numéro des pièces assemblées est présenté sur la case, veuillez ordonner les pièces au numéro des pièces assemblées pour que les pièces puissent être arrangées sur la forme assemblée des pièces.
3. Ce livre est édité suivant les données de Janvier, 1978.
4. Les pièces de ce livre peuvent être changées sans aucune annonce.

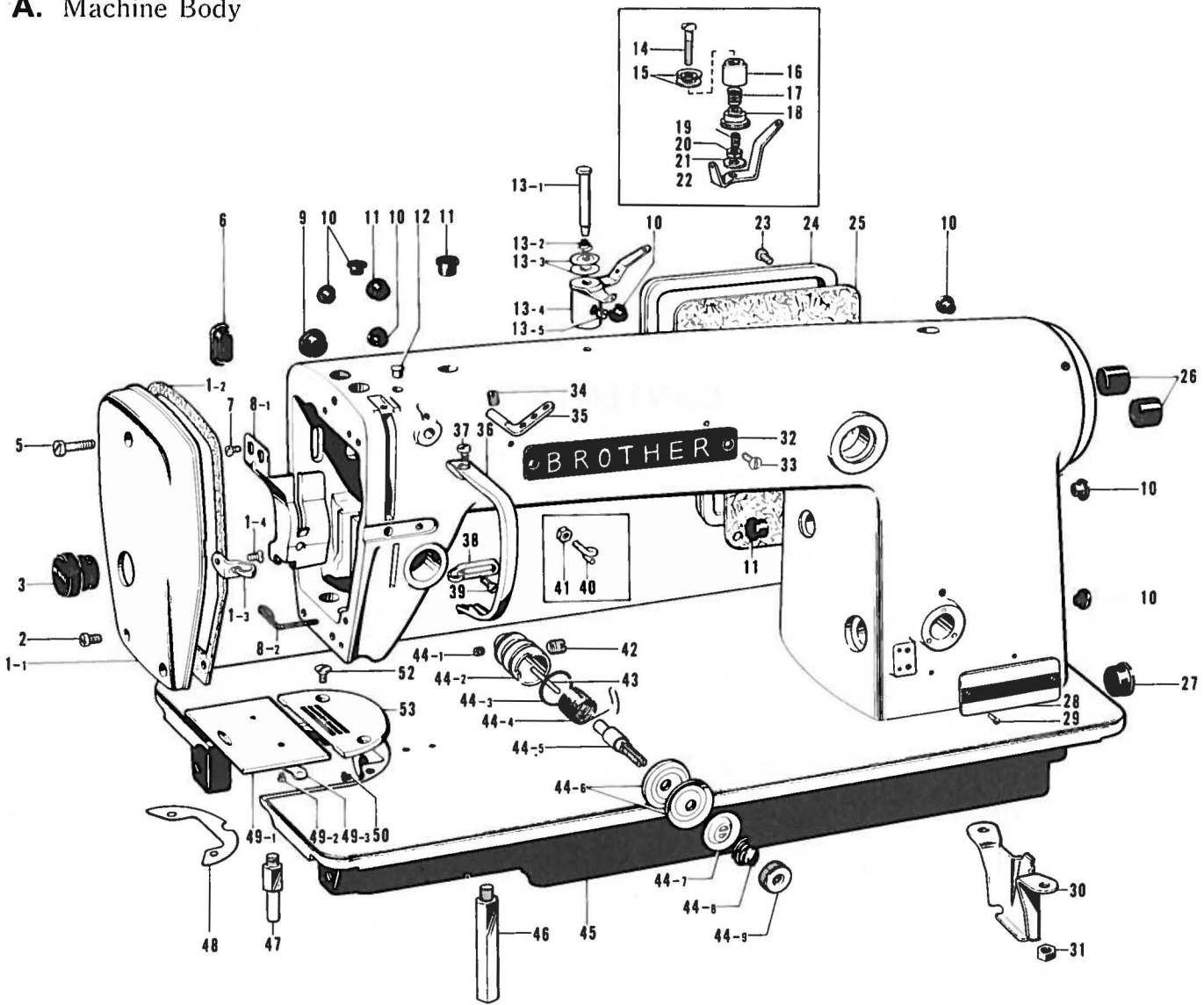
## Como usar libros de piezas

1. Las piezas que no tiene numeros referentes pero , se vea la lista de piezas diferentes en la pagina 11 en adelante.
2. La pieza que tiene , no se puede suministrarse en pieza misma pero en forma armada.
3. Este libro se ha formado siendo efectuado desde Enero 1978 en adelante.
4. Seria posible que algunas piezas en el libro se modificaria sin aviso.

## CONTENTS

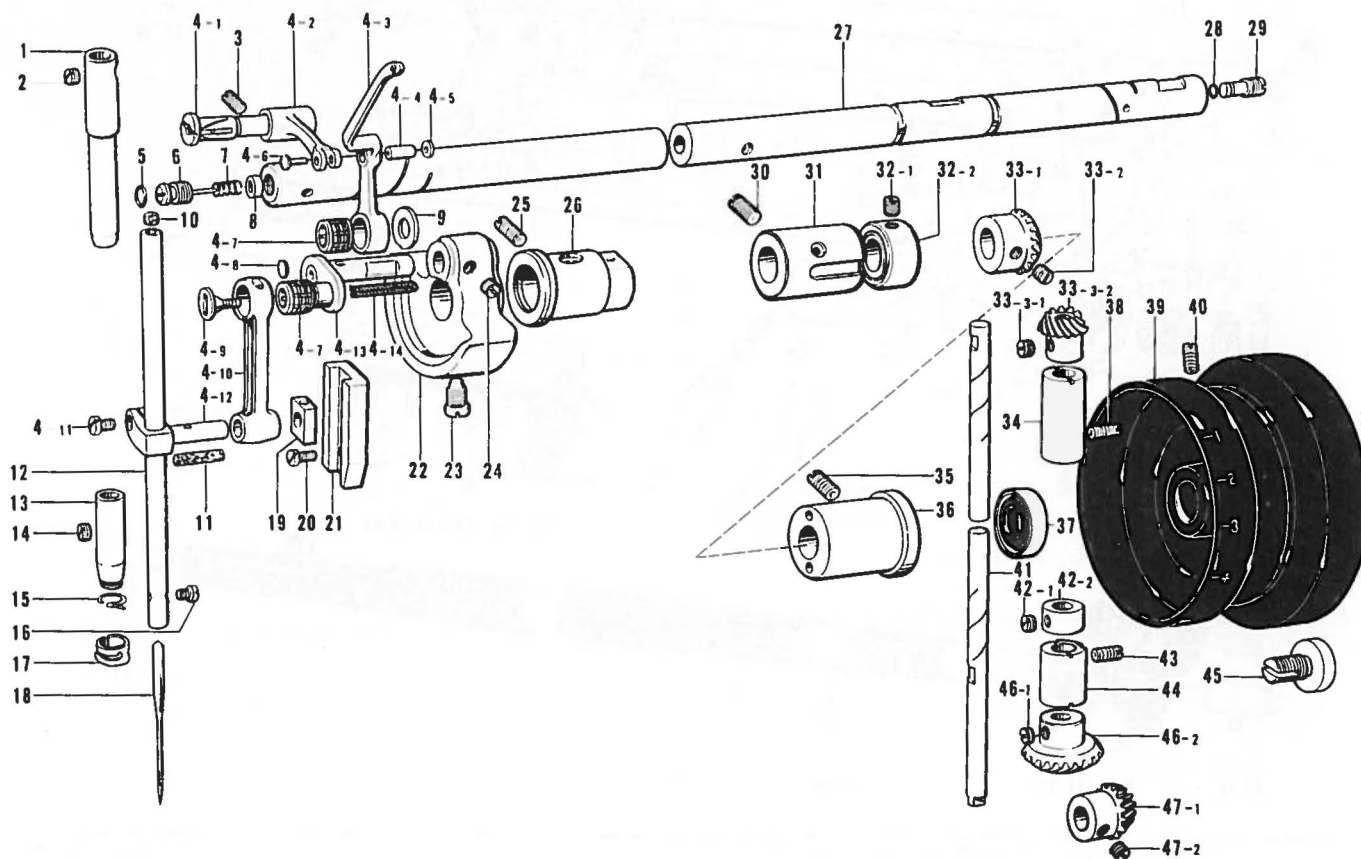
A. Machine Body.....	1
B. Upper Shaft, Needle Bar, Thread Take-up, Rotary Hook Mechanism .....	2
C. Main Feed Mechanism.....	3
D. Differential Feed Mechanism.....	4
E. Presser Foot, Knee Lifter Mechanism.....	5
F. Lubrication .....	6
G. Thread Trimmer and Tension Releaser (–100, –200).....	7
H. Synchronizer (–100, –200).....	8
J. Thread Wiper Mechanism (–200).....	9
Z. Accessories .....	10
DIFFERENT PARTS LIST (1) .....	11
DIFFERENT PARTS LIST (2) .....	13
INDEX.....	13

# A. Machine Body



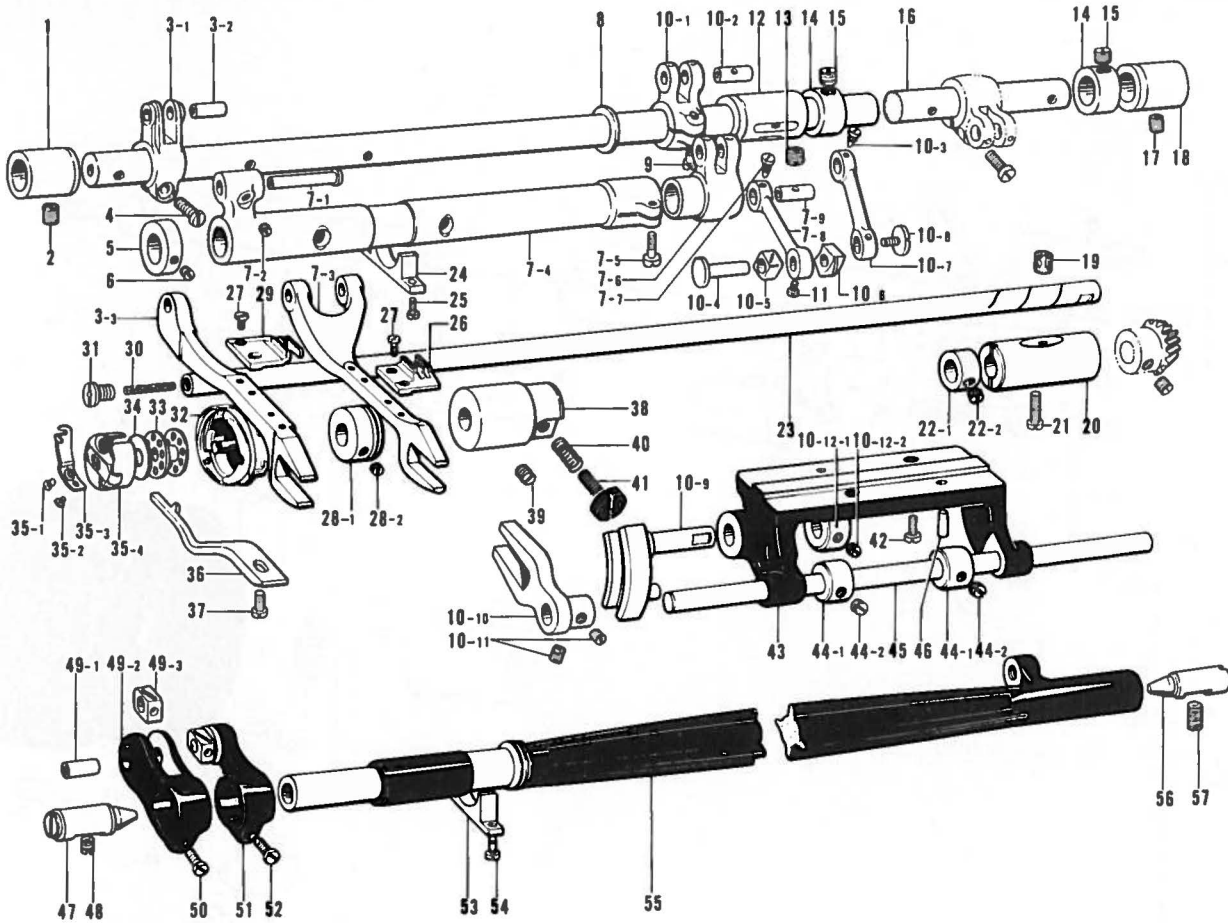
Ref. No.	Name of Parts	Q'ty	Parts No.	Assembly No.	Ref. No.	Name of Parts	Q'ty	Parts No.	Assembly No.
A-1-1	Face Plate	1		A-1 Face Plate Assembly 181357-0-01	A-28	Model Plate	1		
A-1-2	Packing	1	109195-0-01		A-29	Pin	2	116231-0-01	
A-1-3	Face Plate Thread Guide	1	111476-0-01	A-30	Pump Cover	1	145454-0-01		
A-1-4	Screw	1	108960-0-02	A-31	Nut	2	100090-0-04		
A-2	Screw	2	009671-0-13	A-32	Name Plate "BROTHER"	1			
A-3	Oil Cap	1	112782-0-01	A-33	Screw	2	100191-0-03		
A-4	Oil Cap	1	104449-0-01	A-34	Screw	1	013680-6-12		
A-5	Screw	1	009671-8-13	A-35	Thread Retainer	1	114931-0-01		
A-6	Oil Cap	1	142607-0-01	A-36	Thread Take-up Cover	1	140885-0-01		
A-7	Screw	2	009670-5-12	A-37	Screw	1	009680-7-13		
A-8-1	Oil Stopper	1		A-8 Oil Stopper Assembly 181472-0-01	A-38	Arm Thread Guide	1	113316-0-01	
A-8-2	Wick	1	109405-0-01		A-39	Screw	1	009670-6-14	
A-9	Oil Cap	1	104449-0-01	A-40	Arm Thread Guide L	1	145524-0-01		
A-10	Vinyl Cap	8	104450-0-01	A-41	Nut	1	021660-1-02		
A-11	Oil Cap	3	104821-0-01	A-42	Screw	1	103950-0-02		
A-12	Oil Cap	1	111865-0-01	A-43	Tension Release Pin	1	100400-0-00		
A-13-1	Pretension Stud	1		A-13 Pretension Assembly 144502-0-01	A-44-1	Screw	1	100402-0-04	A-44 Upper Tension Regulator Bracket Assembly 181638-0-01
A-13-2	Spring	1	144505-0-01		A-44-2	Upper Tension Regulator Bracket	1	144741-0-01	
A-13-3	Thread Guide Disc	2	144504-0-01		A-44-3	Packing	1	114294-0-01	
A-13-4	Pretension	1			A-44-4	Thread Take-up Spring	1	100399-0-01	
A-13-5	Screw	1	102716-0-03		A-44-5	Tension Stud	1	100398-0-01	
A-14	Pretension Stud	1	146056-0-01		A-44-6	Tension Disc	2	145446-0-01	
A-15	Thread Guide Disc	2	144504-0-01		A-44-7	Tension Disc Washer	1	100134-0-01	
A-16	Pretension Disc Washer	1	146206-0-01	A-44-8	Tension Spring	1	117215-0-01		
A-17	Pretension Spring	1	146058-0-01	A-44-9	Nut	1	100136-0-01		
A-18	Pretension Nut	1	146059-0-01	A-45	Arm Bed	1			
A-19	Spring	1	146060-0-01	A-46	Bed Leg L	1	104829-0-01		
A-20	Nut	1	105234-0-01	A-47	Bed Leg S	1	104830-0-01		
A-21	Washer	1	025680-2-34	A-48	Needle Plate Washer	1	146251-0-01		
A-22	Thread Guide Plate	1	146055-0-01	A-49-1	Slide Plate	1		A-49 Slide Plate Assembly 180100-0-01	
A-23	Screw	6	009670-8-12	A-49-2	Screw	2	122771-0-01		
A-24	Rear Cover	1		A-49-3	Slide Plate Spring	1	114561-0-01		
A-25	Packing	1	110547-0-01	A-50	Oil Cap	1	142274-0-01		
A-26	Oil Cap	2	104832-0-01	A-51	Oil Cap	1	104833-0-01		
A-27	Oil Cap	1	108520-0-01	A-52	Screw	2	100032-0-03		
				A-53	Needle Plate	1			

## B. Upper Shaft, Needle Bar, Thread Take-up, Rotary Hook Mechanism



Ref. No.	Name of Parts	Q'ty	Parts No.	Assembly No.	Ref. No.	Name of Parts	Q'ty	Parts No.	Assembly No.
B-1	Needle Bar Bushing Upper	1	111463-0-01		B-25	Screw	1	013761-4-10	
B-2	Screw	1	100260-0-01		B-26	Upper Shaft Bushing Left	1	111459-0-01	
B-3	Screw	1	013761-4-12		B-27	Upper Shaft	1	110469-0-01	
B-4-1	Stud	1		B-4 Thread Take-up Lever Assembly	B-28	O Ring PWZ	1	081002-6-70	
B-4-2	Thread Take-up Supporter	1			B-29	Oil Screw Right for Upper Shaft	1	104555-0-01	
B-4-3	Thread Take-up Lever	1			B-30	Screw	1	013761-4-10	
B-4-4	Thread Take-up Supporter Pin	1			B-31	Upper Shaft Bushing	1	140726-0-00	
B-4-5	Washer	1			B-32-1	Screw	2	013760-8-10	B-32 Collar 181994-0-01
B-4-6	Pin	1			B-32-2	Collar	1		
B-4-7	Needle Roller Bearing	2	116735-0-00		B-33-1	Upper Shaft Gear	1		B-33 Upper Gear Assembly 180022-0-01
B-4-8	Cap	1			B-33-2	Screw	2	013770-7-10	
B-4-9	Screw	1	145465-0-01		B-33-3-1	Screw	2	013770-7-10	B-33-3 Vertical Shaft Upper Gear Assembly 180957-0-01
B-4-10	Needle Bar Connector	1			B-33-3-2	Vertical Shaft Upper Gear	1		
B-4-11	Set Screw	1	140004-0-01		B-34	Vertical Shaft Upper Bushing	1	142708-0-00	
B-4-12	Needle Bar Clamp	1	111237-0-01		B-35	Screw	1	013760-6-10	
B-4-13	Needle Bar Crank	1			B-36	Upper Shaft Bushing R	1	146331-0-01	
B-4-14	Wick	1			B-37	Oil Seal	1	101487-0-00	
B-4-15	Felt	1			B-38	Screw	1	013760-6-10	
B-5	Packing	1	118770-0-01	B-39	Pulley	1			
B-6	Oil Adjusting Screw for Upper Shaft	1	140412-0-01	B-40	Screw	2	013761-4-12		
B-7	Spring	1	116799-0-01	B-41	Vertical Shaft	1	144868-0-01		
B-8	Oil Bushing	1	140357-0-01	B-42-1	Screw	2	101706-0-03	B-42 Collar 181995-0-01	
B-9	Washer	1	110367-0-01	B-42-2	Lower Shaft Collar	1			
B-10	Needle Bar Cork	1	111863-0-01	B-43	Screw	1	013761-4-12		
B-11	Wick	1	108809-0-01	B-44	Vertical Shaft Lower Bushing	1	142709-0-00		
B-12	Needle Bar	1		B-45	Screw	1	104478-0-01		
B-13	Needle Bar Bushing Lower	1	111464-0-01	B-46-1	Screw	3	013770-7-10	B-46 Vertical Shaft Lower Gear Assembly 180959-0-01	
B-14	Screw	1	100260-0-01	B-46-2	Vertical Shaft Lower Gear	1			
B-15	Thread Guide Under	1	100573-0-01	B-47-1	Lower Shaft Gear	1		B-47 Lower Shaft Gear Assembly 180960-0-01	
B-16	Screw	1	140553-0-01	B-47-2	Screw	2	013770-7-10		
B-17	Needle Bar Thread Guide	1							
B-18	Needle	1							
B-19	Needle Bar Guide Slide Block	1	102630-0-01						
B-20	Screw	2	009670-6-12						
B-21	Needle Bar Guide	1	102631-0-00						
B-22	Counter Weight	1							
B-23	Screw	1	104464-0-01						
B-24	Screw	2	013770-7-10						

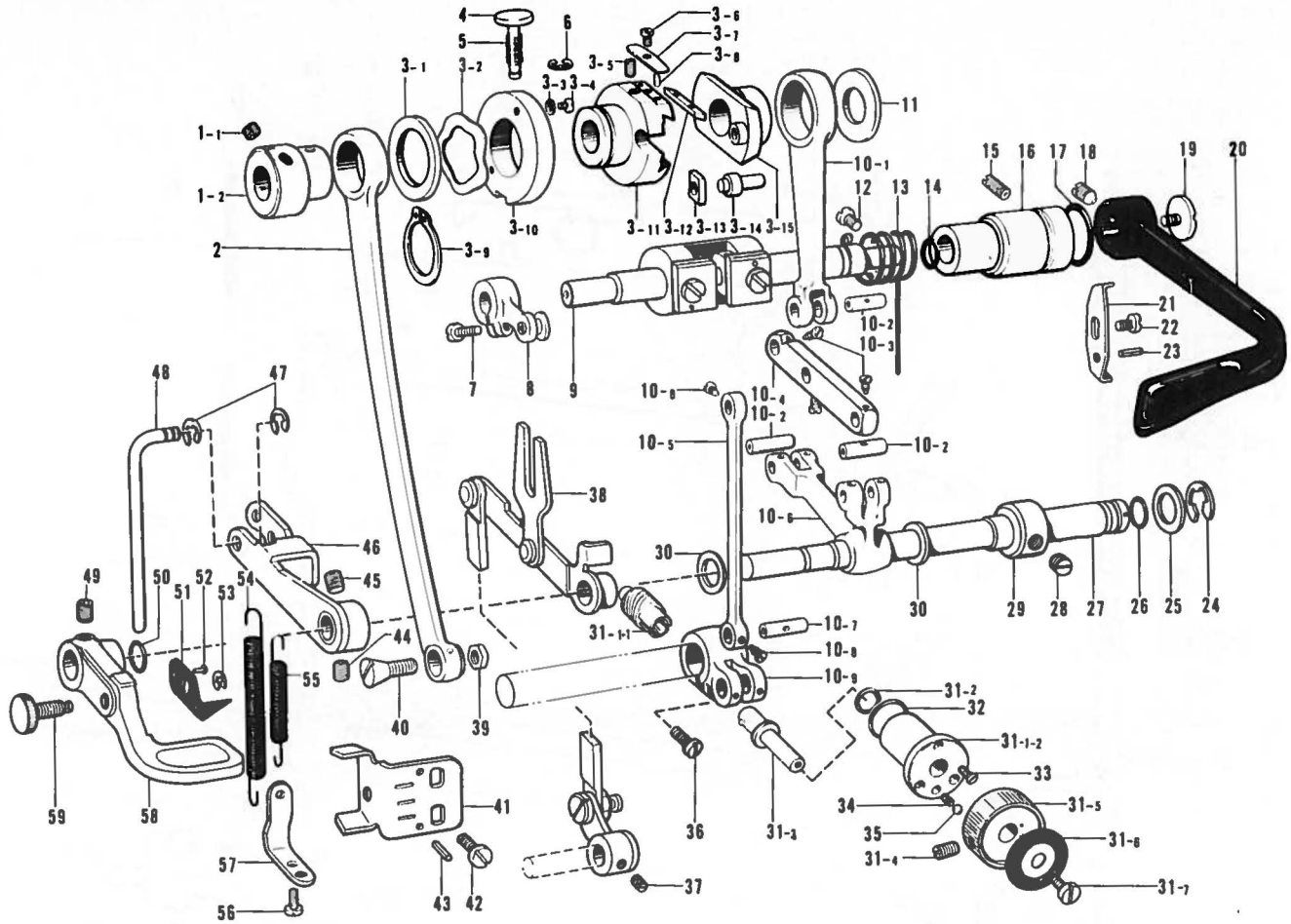
### C. Main Feed Mechanism



Ref. No.	Name of Parts	Q'ty	Parts No.	Assembly No.	Ref. No.	Name of Parts	Q'ty	Parts No.	Assembly No.
C-1	Feed Shaft Bushing, Left	1	142632-0-01		C-23	Lower Shaft	1		
C-2	Screw	1	101706-0-01		C-24	Oil Stopper	1	118560-0-01	
C-3-1	Main Feed Bar Arm	1		C-3	Main Feed Bar Assembly				
C-3-2	Stud	1	110535-0-01		C-25	Screw	2	009670-8-12	
C-3-3	Main Feed Bar	1		C-26	Sub Feed Dog (A,B)	1			
C-4	Screw	1	009681-6-12		C-27	Screw	4	100080-0-03	
C-5	Collar	1	110529-0-01		C-28-1	Oil Rejector	1		C-28
C-6	Screw	2	102716-0-03		C-28-2	Screw	1	013689-4-12	Oil Rejector
C-7-1	Stud	1			C-29	Main Feed Dog (A,B)	1		
C-7-2	Screw	1	013719-4-12		C-30	Oil Felt	1		
C-7-3	Sub Feed Bar	1		C-7	Sub Feed Bar Assembly				
C-7-4	Sub Feed Shaft	1			C-31	Oil Cap Screw	1	109173-0-01	
C-7-5	Screw	1	009681-6-12		C-32	Rotary Hook Assembly	1		
C-7-6	Sub Feed Arm	1			C-33	Bobbin	1	146290-0-01	
C-7-7	Screw	1	110563-0-01		C-34	Bobbin Case Sheet	1	140356-0-01	
C-7-8	Sub Feed Arm Connecting Rod	1	110506-0-01		C-35-1	Spring Adjusting Screw	1	181937-0-01	
C-7-9	Shaft	1	110562-0-01		C-35-2	Spring Set Screw	1	181938-0-01	C-35
C-8	Washer	1	110505-0-01		C-35-3	Lower Thread Adjusting Spring	1	182392-0-01	Hobbin Case Assembly
C-9	Screw	1	009681-2-12		C-35-4	Bobbin Case	1		
C-10-1	Main Feed Arm	1			C-36	Bobbin Case Holder Position Bracket	1		
C-10-2	Shaft	1			C-37	Screw	1	009681-0-12	
C-10-3	Screw	1	110563-0-01		C-38	Lower Shaft Bushing, Left	1	118761-1-00	
C-10-4	Stud	1	140507-0-01		C-39	Screw	1	013680-8-12	
C-10-5	Slide Block	1	142634-0-01	C-10	Feed Regulator Assembly				
C-10-6	Slide Block	1	110509-0-01		C-40	Spring	1	116794-0-01	
C-10-7	Main Feed Arm	1			C-41	Screw	1	145534-0-01	
C-10-8	Screw	1	105451-0-01		C-42	Screw	2	009711-0-12	
C-10-9	Differential Feed Adjuster	1	110501-0-01		C-43	Holder	1	110502-0-01	
C-10-10	Differential Feed Adjusting Link	1			C-44-1	Lower Shaft Collar	2		C-44
C-10-11	Screw	2	101706-0-01		C-44-2	Screw	4	101706-0-01	Collar
C-10-12-1	Set Collar	1		C-10-12	Collar				181995-0-01
C-10-12-2	Screw	2	100289-0-03		C-45	Differential Feed Adjusting Shaft	1	110512-0-01	
C-11	Screw	1	009669-4-14		C-46	Pin	2	100215-0-00	
C-12	Feed Shaft Bushing, Middle	1	142631-0-01		C-47	Taper Center Left	1	104847-0-01	
C-13	Screw	1	101706-0-01		C-48	Screw	1	013770-7-10	
C-14	Collar	2	112054-0-01		C-49-1	Stud	1	110535-0-01	C-49
C-15	Screw	4	101706-0-01		C-49-2	Main Feed Lifting Arm	1		Main Feed Lifting Arm Assembly
C-16	Horizontal Feed Shaft	1	142629-0-01		C-49-3	Slide Block	1	110542-0-01	110540-0-01
C-17	Screw	1	101706-0-01		C-50	Screw	1	009681-2-12	
C-18	Feed Shaft Bushing, Right	1	142630-0-01		C-51	Sub Feed Lifting Arm	1	110543-0-01	
C-19	Felt	1	107155-0-01		C-52	Screw	1	009681-2-12	
C-20	Lower Shaft Bushing, Right	1	104520-1-00		C-53	Oil Stopper	1	118559-0-01	
C-21	Screw	1	110230-0-01		C-54	Screw	2	009670-8-12	
C-22-1	Set Collar	1		C-22	Collar				
C-22-2	Screw	2	101706-0-03		C-55	Feed Lifting Rock Shaft	1	110539-0-03	
					C-56	Taper Center, Right	1	104848-0-01	
					C-57	Screw	1	013770-7-10	

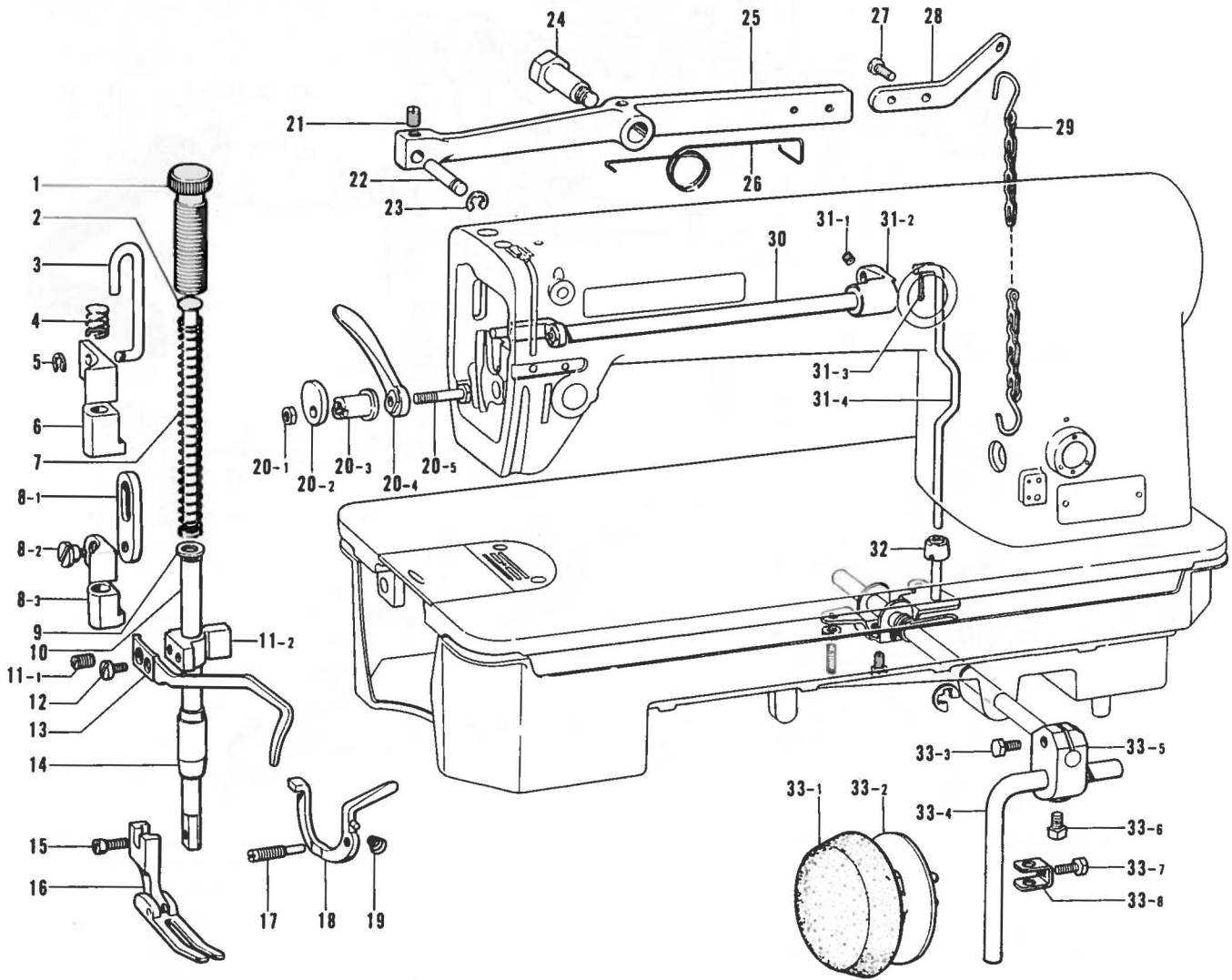


# D. Differential Feed Mechanism



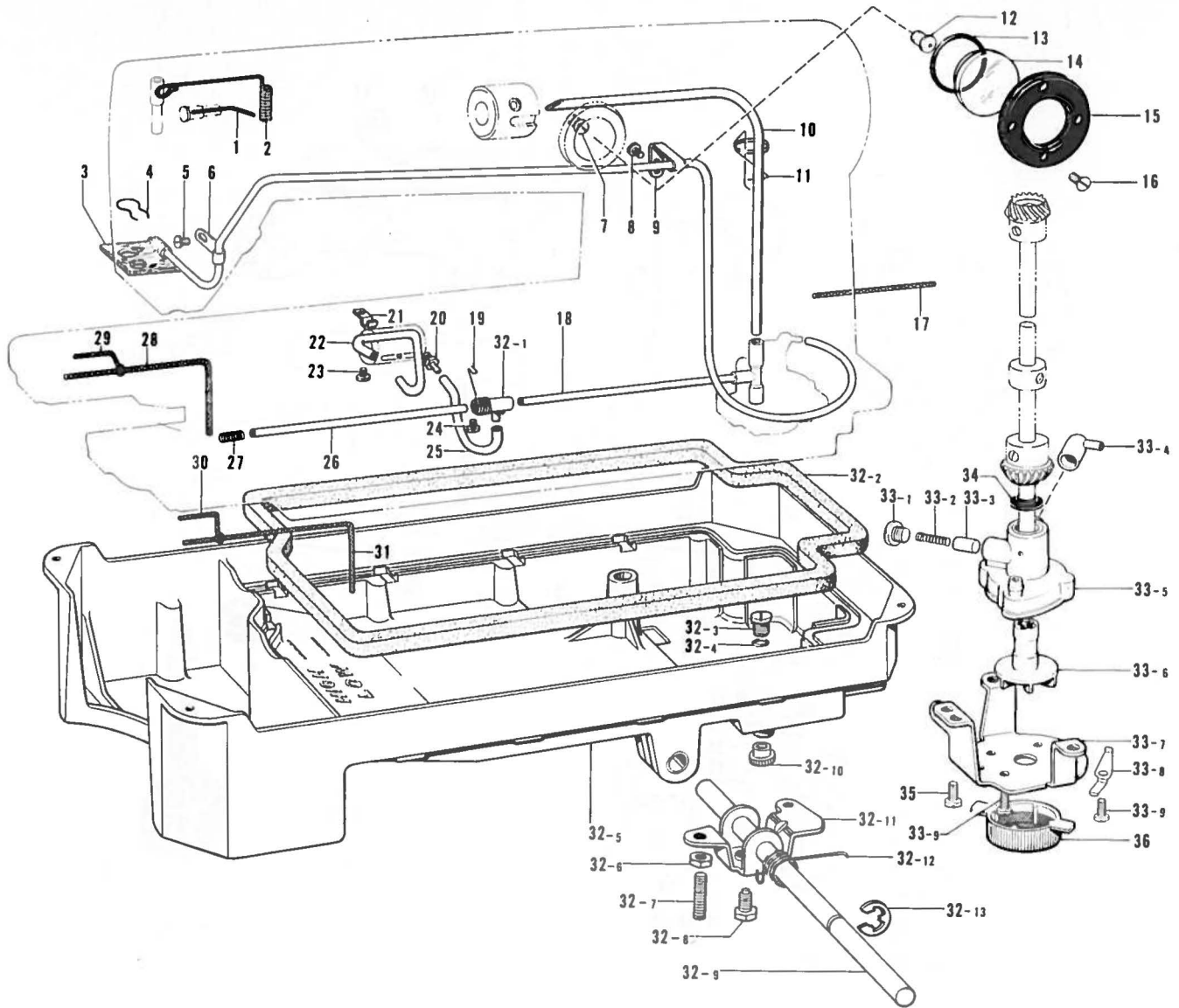
Ref. No.	Name of Parts	Q'ty	Parts No.	Assembly No.	Ref. No.	Name of Parts	Q'ty	Parts No.	Assembly No.
D-1-1	Screw	2	101706-0-01	D-1 Vertical Feed Eccentric Wheel 181485-0-01	D-22	Screw	1	009680-7-13	
D-1-2	Vertical Feed Eccentric Wheel	1			D-23	Pin	1	047250-6-42	
D-2	Vertical Feed Connecting Rod	1	110538-0-01		D-24	Stop Ring	1	048090-3-42	
D-3-1	Washer	1	142120-0-01		D-25	Washer	1	142627-0-01	
D-3-2	Ripple Type Spring	1	103602-0-02		D-26	O Ring	1	110558-0-01	
D-3-3	Cam Ditch Washer	2	103601-0-01		D-27	Stopper	1	142626-0-01	
D-3-4	Screw	2	101479-0-01		D-28	Screw	2	101706-0-01	
D-3-5	Screw	2	013761-4-10		D-29	Collar	1	117671-0-02	
D-3-6	Screw	1	009660-4-12		D-30	Horizontal Feed Crank Ring	2	142628-0-01	
D-3-7	Gib Stopper	1	104766-0-01		D-31-1-1	Screw	1		D-31-1 Bushing 180029-0-01
D-3-8	Pin	2	104765-0-01	D-31-1-2	Bush	1			
D-3-9	Stopper Spring	1	142369-0-01	D-31-2	O Ring	1	081001-6-70	D-31 Differential Feed Control Dial Assembly 110521-0-01	
D-3-10	Eccentric Control Cam	1		D-31-3	Shaft	1	110524-0-00		
D-3-11	Eccentric Wheel Holder	1		D-31-4	Screw	2	011681-2-14		
D-3-12	Gib	1	103595-0-00	D-31-5	Feed Regulator Dial	1	181384-0-01		
D-3-13	Slide Block	1	101477-0-01	D-31-6	Differential Feed Control Plate	1	110526-0-01		
D-3-14	Pin	1	101476-0-01	D-31-7	Screw	1	102836-0-04		
D-3-15	Eccentric Wheel	1		D-32	Packing	1	108549-0-01		
D-4	Feed Adjustor Button	1	111471-0-01	D-33	Screw	3	102843-0-01		
D-5	Spring	1	103607-0-00	D-34	Spring	1	117260-0-01		
D-6	Stop Ring	1	048040-3-42	D-35	Steel Ball	1	071039-7-50		
D-7	Screw	1	009681-2-12	D-36	Screw	1	009711-2-12		
D-8	Feed Regulator Lever	1	142635-0-01	D-37	Screw	2	101706-0-01		
D-9	Transverse Assembly	1	142620-0-01	D-38	Differential Feed Regulator Rod	1	142637-0-01		
D-10-1	Horizontal Feed Connecting Rod	1		D-39	Nut	1	104689-0-01		
D-10-2	Shaft	3	110562-0-01	D-40	Screw	1	100310-0-01		
D-10-3	Screw	3	110563-0-01	D-41	Stopper	1	142648-0-01		
D-10-4	Horizontal Feed Connecting Rod	1	142618-0-01	D-42	Screw	2	107407-0-02		
D-10-5	Horizontal Feed Vertical Connecting Rod	1	110485-0-01	D-43	Pin	2	047250-6-42		
D-10-6	Horizontal Feed Crank	1	142619-0-01	D-44	Screw	1	014760-6-22		
D-10-7	Shaft	1	110562-0-01	D-45	Screw	1	013760-6-10		
D-10-8	Screw	2	110563-0-01	D-46	Differential Feed Connector Lever	1	142641-0-01		
D-10-9	Feed Rock Shaft Arm	1	148283-0-01	D-47	Clip Ring	2	048050-3-42		
D-11	Stopper	1	101482-0-01	D-48	Connecting Bar	1	142649-0-01		
D-12	Set Screw	1	009760-8-13	D-49	Screw	2	014760-6-22		
D-13	Spring	1	142624-0-01	D-50	O Ring	1	081005-6-70		
D-14	Packing	1	111194-0-01	D-51	Differential Feed Indicator Plate	1	142646-0-01		
D-15	Screw	1	013761-4-10	D-52	Pin	2	116231-0-02		
D-16	Transverse Bushing	1	142623-0-00	D-53	Stop Ring	1	048030-3-42		
D-17	O Ring	1	105708-0-01	D-54	Spring	1	142642-0-01		
D-18	Set Screw	1	015771-0-12	D-55	Spring	1	142643-0-01		
D-19	Screw	1	100511-0-03	D-56	Screw	1	009680-7-13		
D-20	Reverse Lever	1	110491-0-01	D-57	Spring Hook	1	142644-0-01		
D-21	Stopper	1	142625-0-01	D-58	Differential Feed Lever	1	142645-0-01		
				D-59	Pin	1	142647-0-01		

# E. Presser Foot, Knee Lifter Mechanism



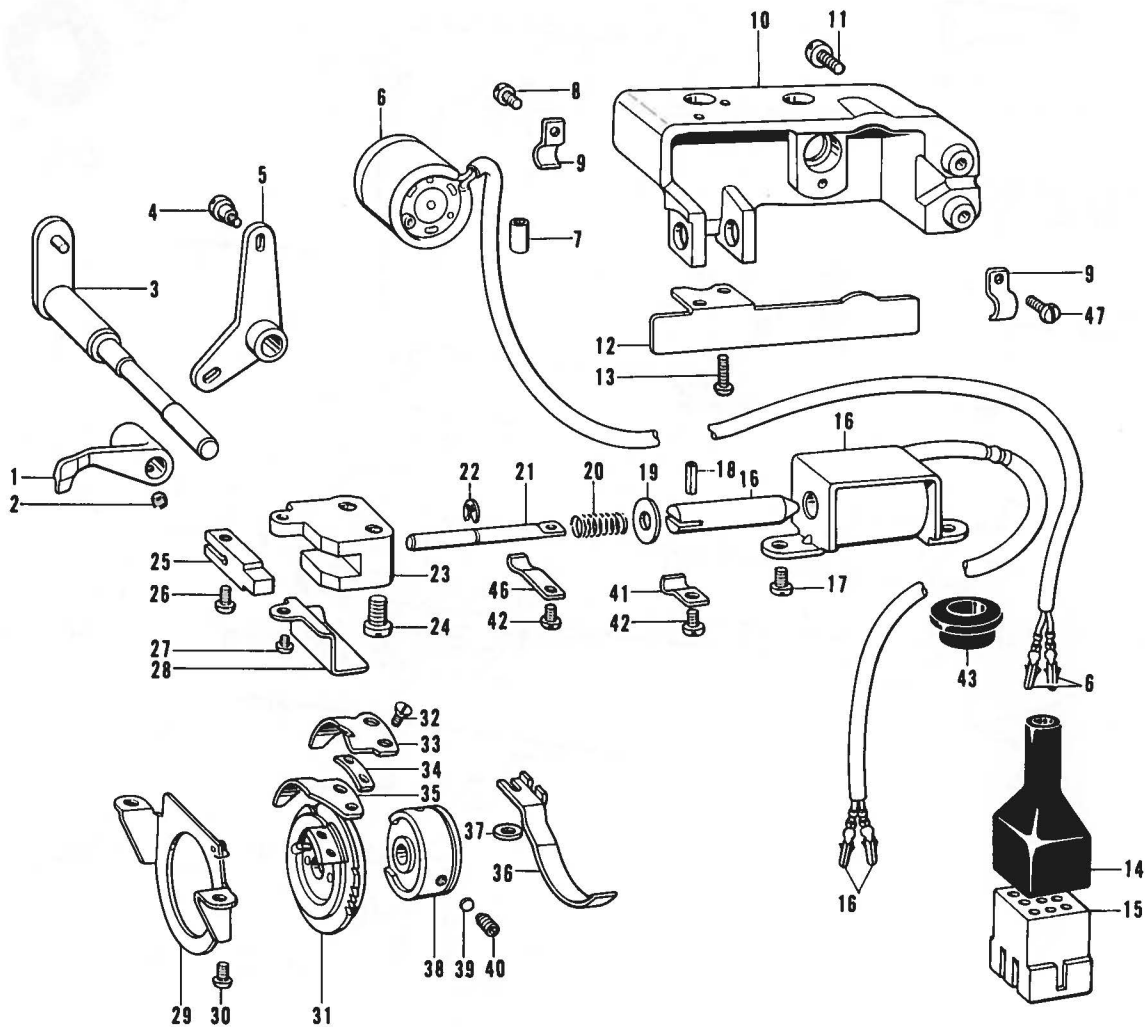
Ref. No.	Name of Parts	Q'ty	Parts No.	Assembly No.	Ref. No.	Name of Parts	Q'ty	Parts No.	Assembly No.
E-1	Screw	1	141207-0-01		E-20-3	Presser Bar Lifter Shaft	1	142017-0-01	E-20 Presser Bar Lifting Assembly 142014-0-01
E-2	Presser Spring Bar	1	141208-0-01		E-20-4	Presser Bar Lifter Lever	1	142016-0-01	
E-3	Presser Foot Complying Bar	1	142614-0-01		E-20-5	Bolt	1	142018-0-01	
E-4	Spring	1	118718-0-01		E-21	Screw	1	013760-7-12	
E-5	Stop Ring	1	048025-3-42		E-22	Presser Bar Upper Gear	1	116746-0-01	
E-6	Presser Bar Lifter	1	142613-0-01		E-23	Stop Ring	1	048040-3-42	
E-7	Presser Spring	1	141209-0-01		E-24	Screw	1	102921-0-02	
E-8-1	Presser Bar Lifting Connector	1	109144-0-01	E-8 Presser Bar Lifting Assembly 181623-0-01	E-25	Presser Bar Lifter Lever	1	142615-0-01	
E-8-2	Screw	1	100294-0-01			E-26	Spring	1	116752-0-01
E-8-3	Presser Bar Lifter Bracket	1	100290-0-01		E-27	Screw	2	009761-0-13	
E-9	Presser Spring Washer	1	140407-0-01		E-28	Presser Bar Lifter Lever Plate	1	142616-0-01	
E-10	Presser Bar	1	111466-0-01		E-29	Chain	1	149247-0-01	
E-11-1	Screw	1	013760-8-10	E-11 Presser Bar Assembly 180102-0-01	E-30	Knee Lifter Upper Crank Shaft	1	109145-0-01	
E-11-2	Presser Bar Clamp	1				E-31-1	Screw	1	013770-7-10
E-12	Screw	1	009680-7-13		E-31-2	Knee Lifter Crank Upper	1	141167-0-00	
E-13	Presser Bar Bracket Thread Guide	1	111469-0-01		E-31-3	Pin	1	045161-0-00	
E-14	Presser Bar Bushing	1	111467-0-01		E-31-4	Knee Lifter Connecting Rod	1	141170-0-01	
E-15	Screw	1	001670-8-14		E-32	Knee Lifter Complying Bar	1	145573-0-00	
E-16	Presser Foot	1			E-33-1	Knee Lifter Cover	1	140503-0-01	
E-17	Hinge Screw	1	109163-0-01		E-33-2	Knee Lifter Plate	1	114966-0-01	
E-18	Tension Release Lever	1	111470-0-00		E-33-3	Bolt	1	017762-0-13	E-33 Knee Lifter Assembly 181427-0-01
E-19	Tension Release Lever Spring	1	100405-0-01		E-33-4	Knee Lifter Bar	1	104619-0-02	
E-20-1	Nut	1	021680-2-02	E-20 Presser Bar Lifting Lever Assembly 142014-0-01	E-33-5	Knee Lifter Joint	1	146039-0-01	
E-20-2	Presser Bar Lifter Cam	1	142015-0-01			E-33-6	Bolt	1	100463-0-01
					E-33-7	Bolt	1	110087-0-01	
					E-33-8	Knee Lifter Plate Stopper	1	114967-0-01	

## F. Lubrication



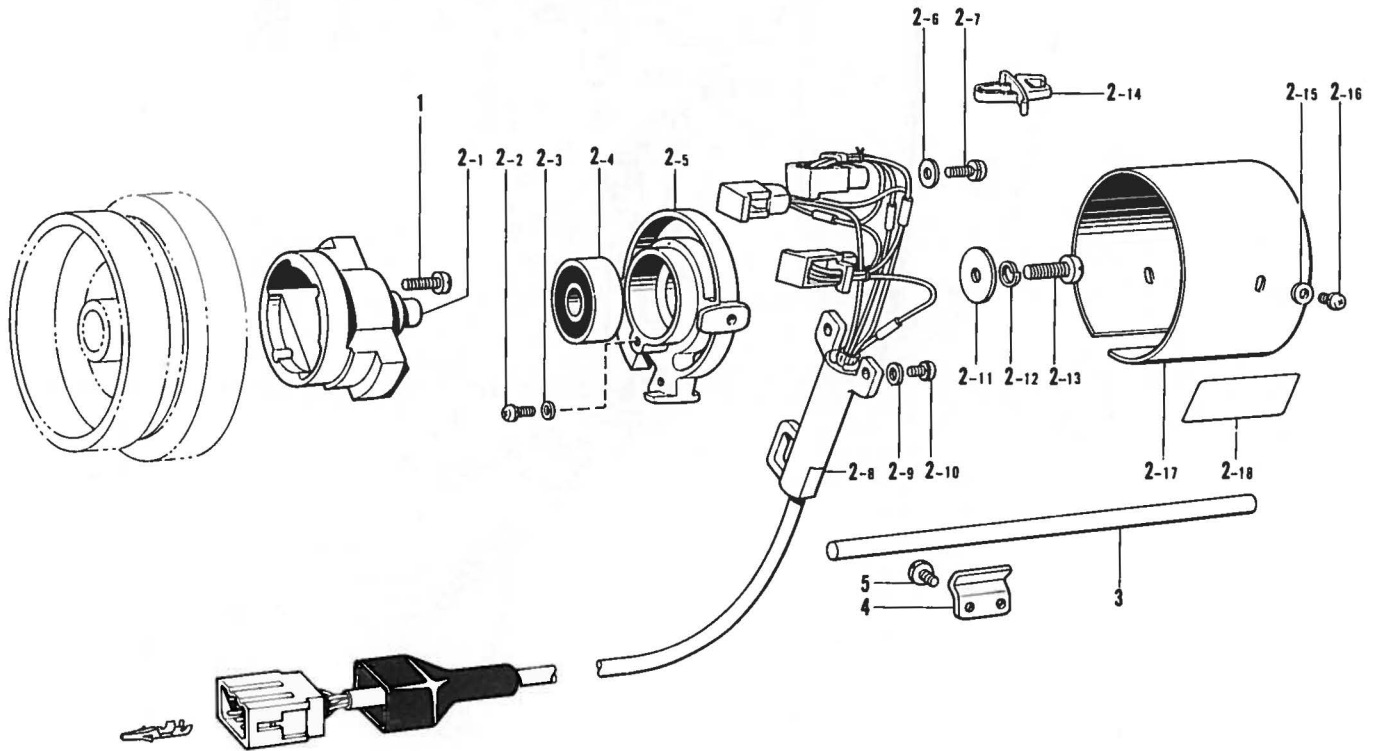
Ref. No.	Name of Parts	Q'ty	Parts No.	Assembly No.	Ref. No.	Name of Parts	Q'ty	Parts No.	Assembly No.
F-1	Wick	1	109405-0-01		F-29	Wick	1	111502-0-01	
F-2	Wick	1	108804-0-01		F-30	Wick	1	111502-0-01	
F-3	Oil Tube Assembly	1	145792-0-01		F-31	Wick	1	108802-0-01	
F-4	Felt Support	1	145737-0-01		F-32-1	Tube Joint	1	146324-0-01	
F-5	Screw	1	009670-5-12		F-32-2	Packing	1	146040-0-01	
F-6	Tube Holder	1	148806-0-01		F-32-3	Screw	1	140518-0-01	
F-7	Screw	1	145992-0-01		F-32-4	O Ring	1	081007-0-70	
F-8	Screw	1	009670-5-12		F-32-5	Oil Pan	1	149580-0-01	
F-9	Tube Supporter	1	110557-0-01		F-32-6	Nut	2	100022-0-04	
F-10	Upper Oil Tube	1	146348-0-00		F-32-7	Screw	2	104885-0-01	F-32
F-11	Tube Guard	1	146326-0-01		F-32-8	Bolt	1	146367-0-01	Oil Pan
F-12	Oil Hole Bolt for Oil Gauge	1	143196-0-01		F-32-9	Knee Lifter Shaft	1	146036-1-01	Assembly
F-13	O Ring	1	081014-6-70		F-32-10	Oil Cap	1	140480-0-01	181420-2-01
F-14	Oil Gauge Window	1	104547-0-01		F-32-11	Knee Lifter	1	146037-0-01	
F-15	Oil Gauge Flange	1	104546-0-01		F-32-12	Spring	1	146038-0-01	
F-16	Screw	4	102538-0-02		F-32-13	Stop Ring	1	146293-0-01	
F-17	Wick	1	112999-0-00		F-33-1	Screw	1	112467-0-02	
F-18	Lower Oil Tube	1	146321-0-01		F-33-2	Spring	1	144876-0-01	
F-19	Tube Holder	1	146325-0-01		F-33-3	Plunger	1	144875-0-01	
F-20	Oil Plug	1	110872-0-01		F-33-4	Joint	1	144878-0-01	F-33
F-21	Oil Pipe Holder	1	142655-0-01		F-33-5	Pump Body	1	148848-0-01	Pump Body
F-22	Oil Pipe	1	142654-0-00		F-33-6	Propeller	1	148849-0-01	Assembly
F-23	Screw	1	009670-5-12		F-33-7	Pump	1	144869-0-01	181669-1-01
F-24	Screw	1	009680-6-12		F-33-8	Spring	2	144874-0-01	
F-25	Vinyl Tube	1	143671-0-00		F-33-9	Screw	4	009670-8-12	
F-26	Oil Tube Lower	1	148828-0-00		F-34	Oil Stopper	1	146196-0-01	
F-27	Spring	1	100328-0-01		F-35	Screw	3	009680-7-13	
F-28	Wick	1	108801-0-01		F-36	Pump Filter	1	144872-0-01	

## G. Thread Trimmer and Tension Releaser (-100, -200)



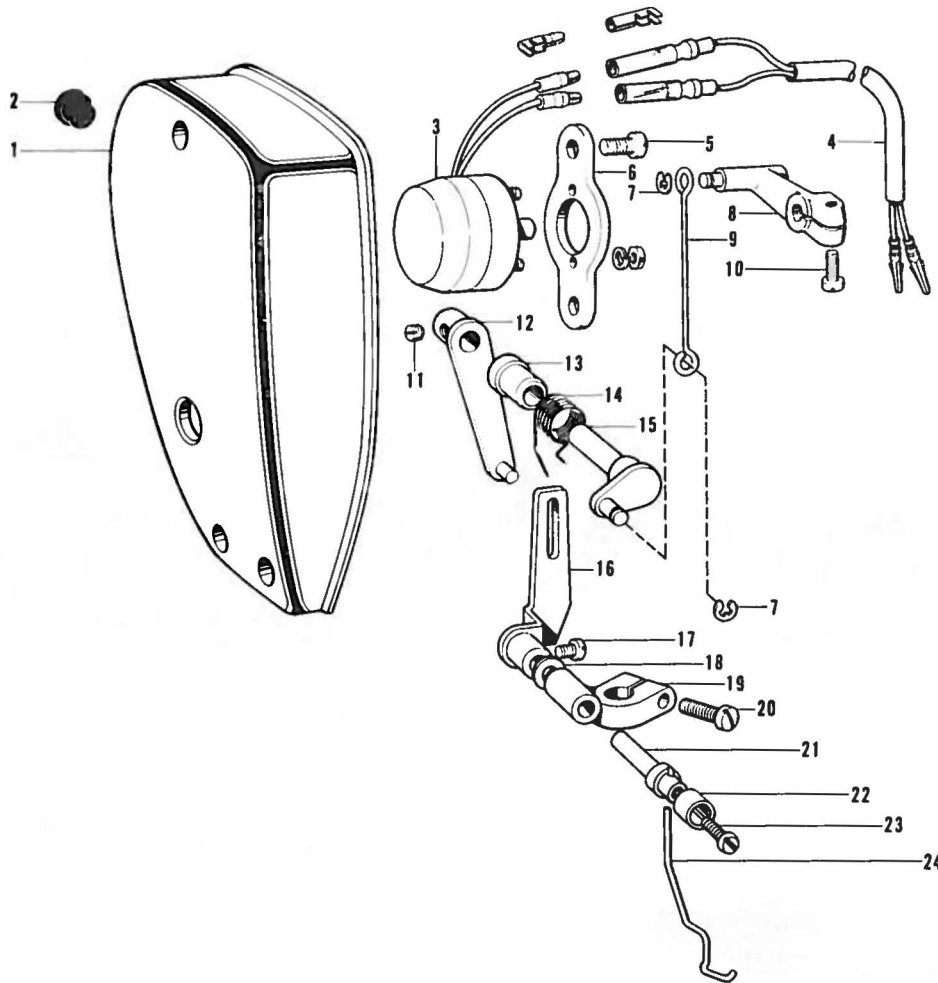
Ref. No.	Name of Parts	Q'ty	Parts No.	Assembly No.	Ref. No.	Name of Parts	Q'ty	Parts No.	Assembly No.
G-1	Thread Release Lever	1	148327-0-01		G-23	Stopper Guide	1	145618-0-01	
G-2	Screw	1	102716-0-03		G-24	Screw	2	145619-0-01	
G-3	Thread Release Link	1	148328-0-01		G-25	Stopper	1	145617-0-01	
G-4	Screw	1	120263-0-01		G-26	Screw	1	009660-7-12	
G-5	Thread Release Link	1	147106-0-01		G-27	Screw	1	009679-3-12	
G-6	Tension Release Solenoid Assembly	1	147107-0-01		G-28	Oil Stopper Plate	1	145623-0-01	
G-7	Vinyl Tube	1	121823-0-01		G-29	Holder Plate	1	145933-0-01	
G-8	Screw	1	009670-6-12		G-30	Screw	2	009680-6-12	
G-9	Supporter	1	148326-0-01		G-31	Movable Knife Holder Assembly	1	145601-0-01	
G-10	Solenoid Holder	1	147110-1-01		G-32	Screw	2	141542-0-01	
G-11	Screw	2	009681-0-13		G-33	Movable Knife Bracket	1	145608-0-01	
G-12	Solenoid Cover	1	148451-0-01		G-34	Washer	1	145611-0-00	
G-13	Screw	2	001639-3-12		G-35	Movable Knife	1	145610-1-01	
G-14	Connector Cap	1			G-36	Movable Knife Cover	1	148325-0-01	
G-15	Nylon Connector	1	145681-0-00		G-37	Washer	1	025680-1-33	
G-16	Thread Trimming Solenoid Assembly	1	146014-0-01		G-38	Oil Stopper	1	149709-0-01	
G-17	Screw	2	009680-7-12		G-39	Washer	3	147697-0-01	
G-18	Pin	1	047300-8-42		G-40	Screw	3	014680-6-22	
G-19	Washer	1	025040-3-35		G-41	Cord Holder	1	145595-0-01	
G-20	Spring	1	145621-0-01		G-42	Screw	2	009680-6-12	
G-21	Stud	1	145620-0-01		G-43	Bushing	1	146080-0-00	
G-22	Stop Ring	1	048030-3-42		G-46	Cord Holder	2		
					G-47	Screw	1	009670-5-12	

# H. Synchronizer (-100, -200)



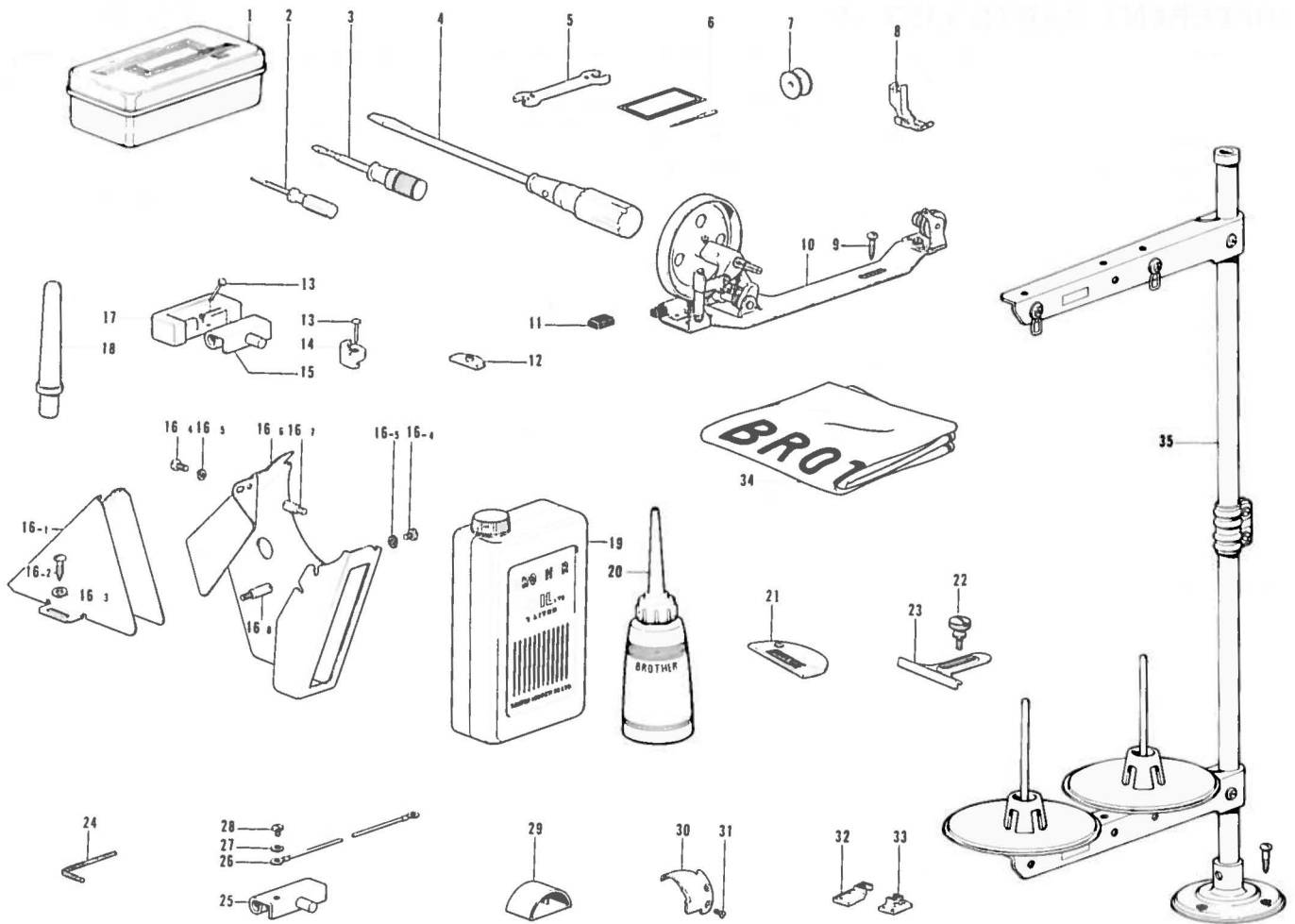
Ref. No.	Name of Parts	Q'ty	Parts No.	Assembly No.	Ref. No.	Name of Parts	Q'ty	Parts No.	Assembly No.
H-1	Screw	2	009711-4-12	H-2 Synchronizer Assembly 218931-0-01	H-2-11	Washer	1	025060-3-35	H-2 Synchronizer Assembly 218931-0-01
H-2-1	Magnet Stud	1			H-2-12	Washer	1	028060-2-34	
H-2-2	Screw	1	215083-0-01		H-2-13	Screw	1	216880-0-01	
H-2-3	Washer	1	025030-3-35		H-2-14	Cord Holder	1		
H-2-4	Bearing	1			H-2-15	Washer	2	025040-1-35	
H-2-5	Hole IC Holder	1			H-2-16	Screw	2	215080-0-01	
H-2-6	Washer	3	025040-3-35		H-2-17	Synchronizer Cover	1		
H-2-7	Screw	3	217093-0-01		H-2-18	Level	1		
H-2-8	Hole IC with Cord	1	218953-0-01		H-3	Synchronizer Holder Bar	1	218944-0-01	
H-2-9	Washer	2	025040-1-35		H-4	Holder	1	148329-0-01	
H-2-10	Screw	2	215080-0-01	H-5	Screw	2	009670-5-12		

## J. Thread Wiper Mechanism (-200)



Ref. No.	Name of Parts	Q'ty	Parts No.	Assembly No.	Ref. No.	Name of Parts	Q'ty	Parts No.	Assembly No.
J-1	Face Plate	1	148330-0-01		J-13	Bushing	1	146079-0-01	
J-2	Bushing	1	146080-0-00		J-14	Spring	1	146089-0-01	
J-3	Thread Wiper Solenoid	1	146082-0-00		J-15	Thread Wiper Crank	1	146088-0-01	
J-4	Cord	1	146095-0-00		J-16	Grooved Link	1	146091-0-01	
J-5	Screw	2	009680-8-12		J-17	Screw	1	111443-0-01	
J-6	Solenoid Set Plate	1	146081-0-01		J-18	Washer	1	102707-0-02	
J-7	Stop Ring	2	048025-3-42		J-19	Thread Wiper Supporter	1	146093-0-01	
J-8	Solenoid Link	1	146086-0-01		J-20	Screw	1	009681-4-14	
J-9	Wire Link	1	146087-0-01		J-21	Thread Wiper Stud	1	146092-0-01	
J-10	Screw	1	009671-0-13		J-22	Thread Wiper Stud Collar	1	146288-0-01	
J-11	Screw	2	102716-0-02		J-23	Screw	1	001670-5-14	
J-12	Thread Wiper Lever	1	146090-0-01		J-24	Thread Wiper	1	146094-0-01	

## Z. Accessories



Ref. No.	Name of Parts	Q'ty	Parts No.	Assembly No.	Ref. No.	Name of Parts	Q'ty	Parts No.	Assembly No.
Z-1	Accessory Box		110436-0-01		Z-17	Blower		143910-0-01	
Z-2	Screw Driver		142443-0-01		Z-18	Head Rest		100477-0-01	
Z-3	Screw Driver		118837-0-01		Z-19	Oil Tank		145277-1-03	
Z-4	Screw Driver		101572-1-01		Z-20	Oiler		114483-0-01	
Z-5	Spanner 8×9		100887-0-01		Z-21	Needle Plate			
Z-6	Needle				Z-22	Thumb Screw		106120-0-01	
Z-7	Bobbin		146290-0-01		Z-23	Ruler		100471-0-01	
Z-8	Presser Foot		142795-0-01		Z-24	Allen Wrench		146049-0-01	
Z-9	Screw		100666-0-02		Z-25	Hinge		145945-0-01	
Z-10	Bobbin Winder Assembly		117963-0-01		Z-26	Earth Wire		145946-0-01	
Z-11	Magnet		112525-0-00		Z-27	Washer		025680-2-34	
Z-12	Oil Pan Cushion		146004-0-01		Z-28	Screw		009680-6-13	
Z-13	Nail		109714-0-00		Z-29	Movable Knife Case		145990-0-01	
Z-14	Head Cushion		146003-1-01		Z-30	Movable Knife		145608-0-01	
Z-15	Hinge		143882-0-01		Z-31	Screw		141542-0-01	
Z-16-1	Belt Cover D				Z-32	Main Feed Dog A,B			
Z-16-2	Screw		100666-0-02		Z-33	Sub Feed Dog A,B			
Z-16-3	Washer		025750-1-32		Z-34	Head Cover		144222-0-01	
Z-16-4	Screw		009680-8-12		Z-35	Cotton Stand Assembly		150150-0-01	
Z-16-5	Washer		028680-2-42						
Z-16-6	Belt Cover UA								
Z-16-7	Stud		147856-0-01						
Z-16-8	Stud		147855-0-01						

- \* The details of included accessories are subject to change.
- \* Änderungen in der Aufstellung der mitgelieferten Zubehöre sind vorbehalten.
- \* Les détails des accessoires inclus sont sujets à des changements.
- \* Los detalles de los accesorios incluidos pueden variar.

## DIFFERENT PARTS LIST (1)

Ref. No.	Sub-class Specification Name of Parts	-1	-2	-3	-4	-103	-104	-203	-204
		80102-80109 80105-80110 80108	80202-80209 80205-80210 80208	80302-80309 80305-80310 80308	80402-80409 80405-80410 80408				
A-1	Face Plate Assembly	181357-0-01							
A-1-1	Face Plate	111455-0-01						148330-0-01	
A-1-3	Face Plate Thread Guide	111476-0-01							
A-1-4	Screw	108960-0-02							
A-3	Oil Cap	112782-0-01							
A-4	Oil Cap							104449-0-01	
A-6	Oil Cap	142607-0-01		142607-0-01		142607-0-01			
A-13	Pretension Assembly	144502-0-01							
A-14	Pretension Stud							146056-0-01	
A-15	Thread Guide Disc							144504-0-01	
A-16	Pretension Disc Washer							146206-0-01	
A-17	Pretension Spring							146058-0-01	
A-18	Pretension Nut							146059-0-01	
A-19	Spring							146060-0-01	
A-20	Nut							105234-0-01	
A-21	Washer							025680-2-34	
A-22	Thread Guide Plate							146055-0-01	
A-24	Rear Cover	110467-0-01						148319-0-01	
A-40	Arm Thread Guide L							145524-0-01	
A-41	Nut							021660-1-02	
A-48	Needle Plate Washer							146251-0-01	
A-50	Oil Cap							142274-0-01	
A-51	Oil Cap	104833-0-01							
A-53	Needle Plate	112549-0-01		110470-0-01		148323-0-01			
B-4	Thread Take-up Lever Assembly	111234-0-01		113278-0-01		145463-0-01			
B-12	Needle Bar	111462-0-01						145467-0-01	
B-17	Needle Bar Thread Guide	112775-0-01						145944-0-01	
B-18	Needle	100575-0-31		100265-0-34		100265-0-31			
B-22	Counter Weight	111465-0-00		109205-0-00		111465-0-00			
B-39	Pulley	142612-0-01						148824-0-01	
C-23	Lower Shaft	109160-0-01						145517-0-01	
C-26	Sub Feed Dog A, B	A Stretch sewing 142653-0-01	B Shrink sewing 142651-0-01	A Stretch sewing 142653-0-01	B Shrink sewing 142660-0-01	A Stretch sewing 142653-0-01			
C-28	Oil Rejector Assembly	144943-0-01							
C-29	Main Feed Dog A, B	A Stretch sewing 142652-0-01	B Shrink sewing 142650-0-01	A Stretch sewing 142652-0-01	B Shrink sewing 142659-0-01	A Stretch sewing 142652-0-01			
C-30	Oil Felt	106436-0-01						145751-0-01	
C-32	Rotary Hook Assembly	112523-0-01		116780-0-01		145585-1-01			
C-34	Bobbin Case Sheet	140356-0-01							
C-35	Bobbin Case	100369-0-01						148350-0-01	
C-36	Bobbin Case Holder Position Bracket	149699-0-01						110546-1-01	
D-47	Clip Ring		048050-3-42		048050-3-42	048050-3-42			



Ref. No.	Sub-class Specification					-103	-104	203	-204
		-1	2	-3	1				
Name of Parts	80102-80109 80105-80110 80108	80202-80209 80205-80210 80208	80302-80309 80305-80310 80308	80402-80409 80405-80410 80408					
D-48	Connecting Bar		112649 0 01		142649-0-01			142649-0-01	
E- 3	Presser Foot Complying Bar							142614-0-01	
E- 4	Spring							118718-0-01	
E- 5	Stop Ring							048025-3-42	
E- 6	Presser Bar lifter							142613-0-01	
E- 8	Presser Bar Lifting Assembly	181623-0-01		181623-0-01			181623-0-01		
E-16	Presser Foot		110475-0-01				143888-0-01		
E-21	Screw		013760-7-12		013760-7-12			013760-7-12	
E-22	Presser Bar Upper Gear		116746-0-01		116746-0-01			116746-0-01	
E-23	Stop Ring		048040-3-42		048040-3-42			048040-3-42	
E-24	Screw		102921-0-02		102921-0-02			102921-0-02	
E-25	Presser Bar lifter Lever		142615-0-01		142615-0-01			142615-0-01	
E-26	Spring		116752-0-01		116752-0-01			116752-0-01	
E-27	Screw		009761-0-13		009761-0-13			009761-0-13	
E-28	Presser Bar Lifter Lever Plate		142616-0-01		142616-0-01		142616-0-01	142616-0-01	
E-29	Chain						149247-0-01	149247-0-01	
E-30	Knee Lifter Upper Crank Shaft	109145-0-01		109145-0-01			109145-0-01		
E-31	Knee Lifter Connecting Rod Assembly	181633-0-01		181633-0-01			181633-0-01		
E-33	Knee Lifter Assembly						181427-0-01		
G-14	Connector Cap					145596-0-01		146119-0-00	
G-46	Cord Holder					140647-0-01		142268-0-01	
Z- 6	Needle	100575-0-31		100265-0-34			100265-0-31		
Z-12	Oil Pan Cushion						146004-0-01		
Z-13	Nail						109714-0-00		
Z-14	Head Cushion						146003-1-01		
Z-17	Blower						143910-0-01		
Z-21	Needle Plate	117800-0-01		112549-0-01			148332-0-01		
Z-24	Allen Wrench						146049-0-01		
Z-25	Hinge						145945-0-01		
Z-26	Earth Wire						145946-0-01		
Z-27	Washer						025680-2-34		
Z-28	Screw						009680-6-13		
Z-29	Movable Knife Case						145990-0-01		
Z-30	Movable Knife						145608-0-01		
Z-31	Screw						141542-0-01		
Z-32	Main Feed Dog A, B	B Shrink sewing 142650-0-01	A Stretch sewing 142652-0-01	B Shrink sewing 142650-0-01	A Stretch sewing 142652-0-01		B Shrink sewing 142650-0-01		
Z-33	Sub Feed Dog A, B	B Shrink sewing 142651-0-01	A Stretch sewing 142653-0-01	B Shrink sewing 142651-0-01	A Stretch sewing 142653-0-01		B Shrink sewing 142651-0-01		
Z-34	Head Cover						144222-0-01		
Z- 7	Bobbin Q'ty		3				5		
Z-15	Hinge Q'ty		2				1		

## DIFFERENT PARTS LIST (2)

The following specifications Model only have the parts listed below in standard accessories.

Ref. No.	Sub-class Specification	-1	-2	-3	-4	-103	-104	-203	-204
		Name of Parts	80108	80208	80308				
Z-16	Belt Cover Assembly	147895-0-11							

Ref. No.	Sub-class Specification	-1	-2	-3	-4	-103	-104	-203	-204
		Name of Parts	80110	80210	80310				
Z-35	Cotton Stand Assembly	150150-0-01							

## INDEX

Parts No.	Ref. No.	Remark	Parts No.	Ref. No.	Remark	Parts No.	Ref. No.	Remark	Parts No.	Ref. No.	Remark
001670-5-14	J-23		013770-7-10	B-24		100400-0-00	A-43		104766-0-01	D-3-7	
001670-8-14	E-15			B-33-2		100402-0-04	A-44-1		104821-0-01	A-11	
009660-4-12	D-3-6			B-33-3-1		100405-0-01	E-19		104829-0-01	A-46	
009669-4-14	C-11			B-46-1		100463-0-01	E-33-6		104830-0-01	A-47	
009670-5-12	A-7			B-47-2		100471-0-01	Z-23		104832-0-01	A-26	
	F-5			C-48		100477-0-01	Z-18		104833-0-01	A-51	
	F-8			C-57		100511-0-03	D-19		104847-0-01	C-47	
	F-23			E-31-1		100573-0-01	B-15		104848-0-01	C-56	
009670-6-12	B-20		014760-6-22	D-44		100575-0-31	Z-18		104885-0-01	F-32-7	
009670-6-14	A-39			D-49			Z-6		105234-0-01	A-20	
009670-8-12	A-23		015771-0-12	D-18		100666-0-02	Z-9		105451-0-01	C-10-8	
	C-25		017762-0-13	E-33-3			Z-16-2		105708-0-01	D-17	
	C-54		021660-1-02	A-41		100887-0-01	Z-5		106120-0-01	Z-22	
	F-33-9		021680-2-02	E-20-1		101476-0-01	D-3-14		106436-0-01	C-30	
009671-0-13	A-2		025680-2-34	A-21		101477-0-01	D-3-13		107155-0-01	C-19	
	J-10			Z-27		101479-0-01	D-3-4		107407-0-02	D-42	
009671-8-13	A-5		025750-1-32	Z-16-3		101482-0-01	D-11		108520-0-01	A-27	
009680-6-12	F-24		028680-2-42	Z-16-5		101487-0-00	B-37		108549-0-01	D-32	
009680-6-13	Z-28		045161-0-00	E-31-3		101572-1-01	Z-4		108801-0-01	F-28	
009680-7-13	A-37		047250-6-42	D-23		101706-0-01	C-2		108802-0-01	F-31	
	D-22			D-43			C-10-11		108804-0-01	F-2	
	D-56		048025-3-42	E-5			C-13		108809-0-01	B-11	
	E-12			J-7			C-15		108960-0-02	A-1-4	
	F-35		048030-3-42	D-53			C-17		109144-0-01	E-8-1	
009680-8-12	J-5		048040-3-42	D-6			C-44-2		109145-0-01	E-30	
	Z-16-4			E-23			D-1-1		109160-0-01	C-23	
009681-0-12	C-37		048050-3-42	D-47			D-28		109163-0-01	E-17	
009681-2-12	C-9		048090-3-42	D-24			D-37		109173-0-01	C-31	
	C-50		071039-7-50	D-35		101706-0-03	B-42-1		109195-0-01	A-1-2	
	C-52		081001-6-70	D-31-2		102538-0-02	F-16		109205-0-00	B-22	
	D-7		081002-6-70	B-28		102630-0-01	B-19		109405-0-01	A-8-2	
009681-4-14	J-20		081005-6-70	D-50		102631-0-00	B-21			F-1	
009681-6-12	C-4		081007-0-70	F-32-4		102707-0-02	J-18		109714-0-00	Z-13	
	C-7-5		081014-6-70	F-13		102716-0-02	J-11		110087-0-01	E-33-7	
009711-0-12	C-42		100022-0-04	F-32-6		102716-0-03	A-13-5		110230-0-01	C-21	
009711-2-12	D-36		100032-0-03	A-52			C-6		110367-0-01	B-9	
009760-8-13	D-12		100080-0-03	C-27		102836-0-04	D-31-7		110436-0-01	Z-1	
009761-0-13	E-27		100090-0-04	A-31		102843-0-01	D-33		110467-0-01	A-24	
011681-2-14	D-31-4		100134-0-01	A-44-7		102921-0-02	E-24		110469-0-01	B-27	
013680-6-12	A-34		100136-0-01	A-44-9		103595-0-00	D-3-12		110470-0-01	A-53	
013680-8-12	C-39		100191-0-03	A-33		103601-0-01	D-3-3		110475-0-01	E-16	
013689-4-12	C-28-2		100215-0-00	C-46		103602-0-02	D-3-2		110485-0-01	D-10-5	
013719-4-12	C-7-2		100260-0-01	B-2		103607-0-00	D-5		110491-0-01	D-20	
013760-6-10	B-35			B-14		103950-0-02	A-42		110502-0-01	C-43	
	B-38		100265-0-31	B-18		104449-0-01	A-4		110505-0-01	C-8	
	D-45			Z-6			A-9		110506-0-01	C-7-8	
013760-7-12	E-21		100265-0-34	B-18		104450-0-01	A-10		110509-0-01	C-10-6	
013760-8-10	B-32-1			Z-6		104464-0-01	B-23		110512-0-01	C-45	
	E-11-1		100289-0-03	C-10-12-2		104478-0-01	B-45		110521-0-01	D-31	
013761-4-10	B-25		100290-0-01	E-8-3		104520-1-00	C-20		110524-0-00	D-31-3	
	B-30		100294-0-01	E-8-2		104546-0-01	F-15		110526-0-01	D-31-6	
	D-3-5		100310-0-01	D-40		104547-0-01	F-14		110527-0-01	C-7	
	D-15		100328-0-01	F-27		104555-0-01	B-29		110529-0-01	C-5	
013761-4-12	B-3		100369-0-01	C-35		104619-0-02	E-33-4		110532-0-01	C-3	
	B-40		100398-0-01	A-44-5		104689-0-01	D-39		110535-0-01	C-3-2	
	B-43		100399-0-01	A-44-4		104765-0-01	D-3-8			C-49-1	

Parts No.	Ref. No.	Remark	Parts No.	Ref. No.	Remark	Parts No.	Ref. No.	Remark	Parts No.	Ref. No.	Remark
110538-0-01	D-2		140019-0-01	D-3		142660-0-01	C-26		146119-0-00	G-14	
110539-0-03	C-55		140354-0-01	A-8-1		142708-0-00	B-34		146196-0-01	F-34	
110540-0-01	C-49		140356-0-01	C-34		142709-0-00	B-44		146206-0-01	A-16	
110542-0-01	C-49-3		140357-0-01	B-8		142795-0-01	Z-8		146251-0-01	A-48	
110543-0-01	C-51		140407-0-01	E-9		143196-0-01	F-12		146288-0-01	J-22	
110546-0-01	C-36		140412-0-01	B-6		143671-0-00	F-25		146290-0-01	C-33	
110547-0-01	A-25		140480-0-01	F-32-10		143882-0-01	Z-15			Z-7	
110557-0-01	F-9		140503-0-01	E-33-1		143888-0-01	E-16		146293-0-01	F-32-13	
110558-0-01	D-26		140507-0-01	C-10-4		143910-0-01	Z-17		146321-0-01	F-18	
110562-0-01	C-7-9		140518-0-01	F-32-3		144222-0-01	Z-34		146324-0-01	F-32-1	
	D-10-2		140553-0-01	B-16		144502-0-01	A-13		146325-0-01	F-19	
	D-10-7		140647-0-01	G-46		144503-0-01	A-13-4		146326-0-01	F-11	
110563-0-01	C-7-7		140726-0-00	B-31		144504-0-01	A-13-3		146331-0-01	B-36	
	C-10-3		140885-0-01	A-36			A-15		146348-0-00	F-10	
	D-10-3		141167-0-00	E-31-2		144505-0-01	A-13-2		146367-0-01	F-32-8	
	D-10-8		141170-0-01	E-31-4		144568-0-01	A-13-1		147855-0-01	Z-16-8	
						144741-0-01	A-44-2		147856-0-01	Z-16-7	
110872-0-01	F-20		141207-0-01	E-1		144868-0-01	B-41		147895-0-11	Z-16	
111194-0-01	D-14		141208-0-01	E-2		144869-0-01	F-33-7		148283-0-01	D-10-9	
111234-0-01	B-4		141209-0-01	E-7		144872-0-01	F-36		148319-0-01	A-24	
111443-0-01	J-17		141542-0-01	Z-31		144874-0-01	F-33-8		148323-0-01	A-53	
111455-0-01	A-1-1		142014-0-01	E-20		144875-0-01	F-33-3		148330-0-01	A-1-1	
111459-0-01	B-26		142015-0-01	E-20-2		144876-0-01	F-33-2			J-1	
111462-0-01	B-12		142016-0-01	E-20-4		144878-0-01	F-33-4		148332-0-01	Z-21	
111463-0-01	B-1		142017-0-01	E-20-3		144943-0-01	C-28		148350-0-01	C-35	
111464-0-01	B-13		142018-0-01	E-20-5		145277-1-03	Z-19		148806-0-01	F-6	
111465-0-00	B-22		142120-0-01	D-3-1		145446-0-01	A-44-6		148824-0-01	B-39	
111466-0-01	E-10		142268-0-01	G-46		145454-0-01	A-30		148828-0-00	F-26	
111467-0-01	E-14		142274-0-01	A-50		145463-0-01	B-4		148848-0-01	F-33-5	
111469-0-01	E-13		142369-0-01	D-3-9		145465-0-01	B-4-9		148849-0-01	F-33-6	
111470-0-00	E-18		142443-0-01	Z-2		145467-0-01	B-12		149247-0-01	E-29	
111471-0-01	D-4		142607-0-01	A-6		145517-0-01	C-23		149580-0-01	F-32-5	
111476-0-01	A-1-3		142612-0-01	B-39		145524-0-01	A-40		149699-0-01	C-36	
111502-0-01	F-29		142613-0-01	E-6		145534-0-01	C-41		150150-0-01	Z-35	
	F-30		142614-0-01	E-3		145573-0-00	E-32		180022-0-01	B-33	
111863-0-01	B-10		142615-0-01	E-25		145585-0-01	C-32		180029-0-01	D-31-1	
111865-0-01	A-12		142616-0-01	E-28		145596-0-01	G-14		180100-0-01	A-49	
112054-0-01	C-14		142617-1-01	D-10		145608-0-01	Z-30		180102-0-01	E-11	
112467-0-02	F-33-1		142618-0-01	D-10-4		145737-0-01	F-4		180323-0-01	C-10-12	
112523-0-01	C-32		142619-0-01	D-10-6		145751-0-01	C-30		180957-0-01	B-33-3	
112525-0-00	Z-11		142620-0-01	D-9		145792-0-01	F-3		180959-0-01	B-46	
112549-0-01	A-53		142623-0-00	D-16		145944-0-01	B-17		180960-0-01	B-47	
	Z-21		142624-0-01	D-13		145945-0-01	Z-25		181357-0-01	A-1	
112775-0-01	B-17		142625-0-01	D-21		145946-0-01	Z-26		181384-0-01	D-31-5	
112782-0-01	A-3		142626-0-01	D-27		145990-0-01	Z-29		181420-2-01	F-32	
112999-0-00	F-17		142627-0-01	D-25		145992-0-01	F-7		181427-0-01	E-33	
113278-0-01	B-4		142628-0-01	D-30		146003-1-01	Z-14		181472-0-01	A-8	
113316-0-01	A-38		142629-0-01	C-16		146004-0-01	Z-12		181485-0-01	D-1	
114294-0-01	A-44-3		142630-0-01	C-18		146036-1-01	F-32-9		181623-0-01	E-8	
114483-0-01	Z-20		142631-0-01	C-12		146037-0-01	F-32-11		181633-0-01	E-31	
114561-0-01	A-49-3		142632-0-01	C-1		146038-0-01	F-32-12		181638-0-01	A-44	
114931-0-01	A-35		142634-0-01	C-10-5		146039-0-01	E-33-5		181669-1-01	F-33	
114966-0-01	E-33-2		142635-0-01	D-8		146040-0-01	F-32-2		181937-0-01	C-35-1	
114967-0-01	E-33-8		142637-0-01	D-38		146049-0-01	Z-24		181938-0-01	C-35-2	
116231-0-01	A-29		142641-0-01	D-46		146055-0-01	A-22		181994-0-01	B-32	
116231-0-02	D-52		142642-0-01	D-54		146056-0-01	A-14		181995-0-01	B-42	
116746-0-01	E-22		142643-0-01	D-55		146058-0-01	A-17			C-22	
116752-0-01	E-26		142644-0-01	D-57		146059-0-01	A-18			C-44	
116780-0-01	C-32		142645-0-01	D-58		146060-0-01	A-19		182391-0-01	C-10	
116794-0-01	C-40		142646-0-01	D-51		146079-0-01	J-13		182392-0-01	C-35-3	
116799-0-01	B-7		142647-0-01	D-59		146080-0-00	J-2				
117215-0-01	A-44-8		142648-0-01	D-41		146081-0-01	J-6				
117260-0-01	D-34		142649-0-01	D-48		146082-0-00	J-3				
117671-0-02	D-29		142650-0-01	C-29		146086-0-01	J-8				
117800-0-01	Z-21			Z-32		146087-0-01	J-9				
117963-0-01	Z-10			C-26		146088-0-01	J-15				
118559-0-01	C-53			Z-33		146089-0-01	J-14				
118560-0-01	C-24			C-29		146090-0-01	J-12				
118718-0-01	E-4			Z-32		146091-0-01	J-16				
118761-1-00	C-38			C-26		146092-0-01	J-21				
118770-0-01	B-5			Z-33		146093-0-01	J-19				
118837-0-01	Z-3			F-22		146094-0-01	J-24				
122771-0-01	A-49-2		142655-0-01	F-21		146095-0-00	J-4				
140004-0-01	B-4-11		142659-0-01	C-29							



117-781  
195781-3-02  
July, 1978  
Printed in Japan